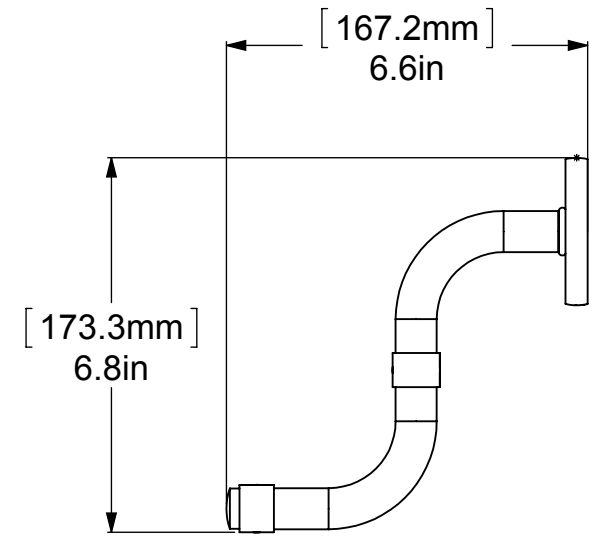
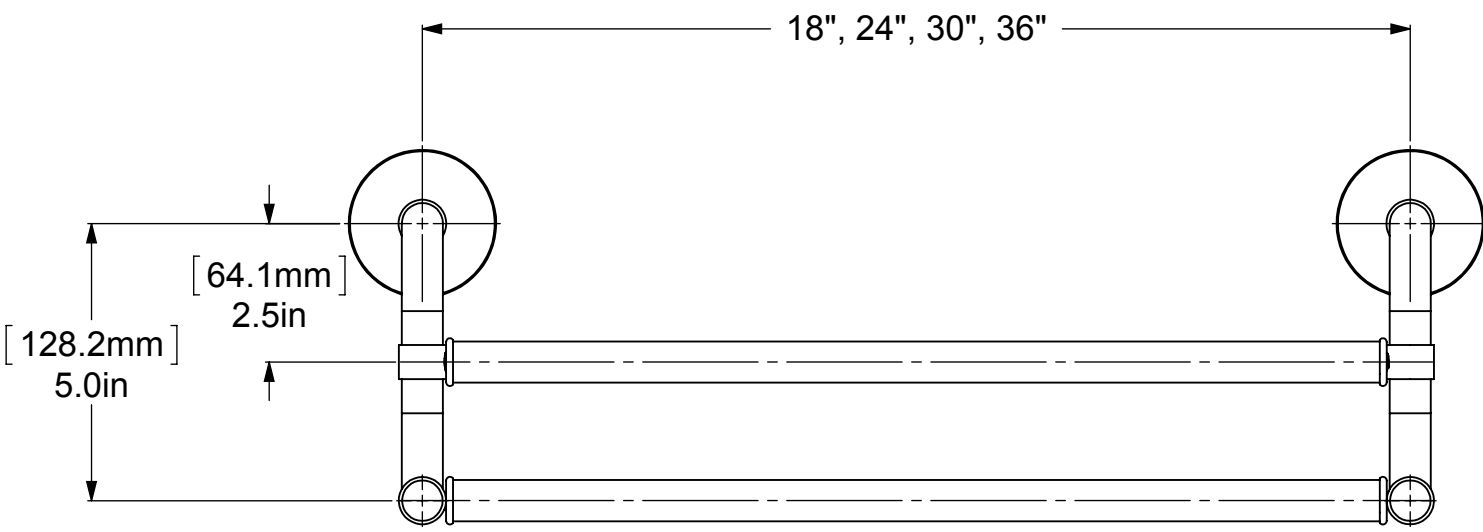


ITEM NO.	P/N	DESCRIPTION	QTY.
1	BPRD	BACKPLATE	2
2	CRRD-34	CHECK RING	6
3	SWELB-3	TUBE	4
4	MR-TILT-FITT	HUB	4
5	CARD-34	END CAP	2
6	TU34	TUBE	2



**APPROVED FOR PRODUCTION**  
 BY: RICHARD PAUL  
 DATE: 1/30/2017

UNLESS OTHERWISE STATED

.X	±.3mm
.XX	±.15mm
.XXX	±.008mm

COPYRIGHT © Allied Brass 2016



DRAWN	1/31/2017	I.M
CHECKED	1/31/2017	P.D
APPROVED	1/31/2017	R.A

MATERIAL: BRASS  
 DESCRIPTION: REMI DOUBLE TOWEL BAR

FINISH	TBD
QUANTITY	TBD
DRAWING No.	REV
RM-72	0
SCALE	1:3.5
SHEET: 01	A4